

# LEXMARK™ C910

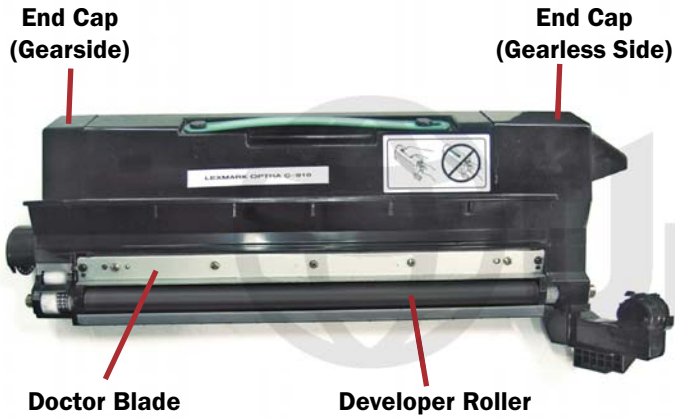
## TONER CARTRIDGE REMANUFACTURING INSTRUCTIONS



LEXMARK C910 TONER CARTRIDGE

# REMANUFACTURING THE LEXMARK C910 TONER CARTRIDGES

By Javier Gonzalez and the Technical Staff at UniNet



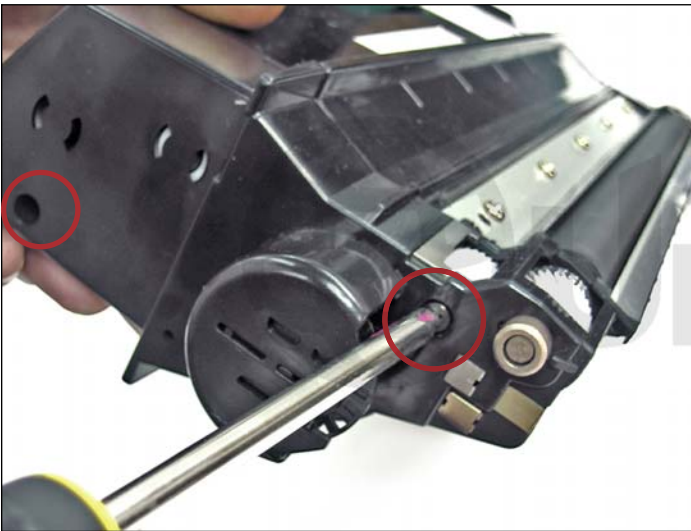
**TOP OF CARTRIDGE**



**REAR OF CARTRIDGE**



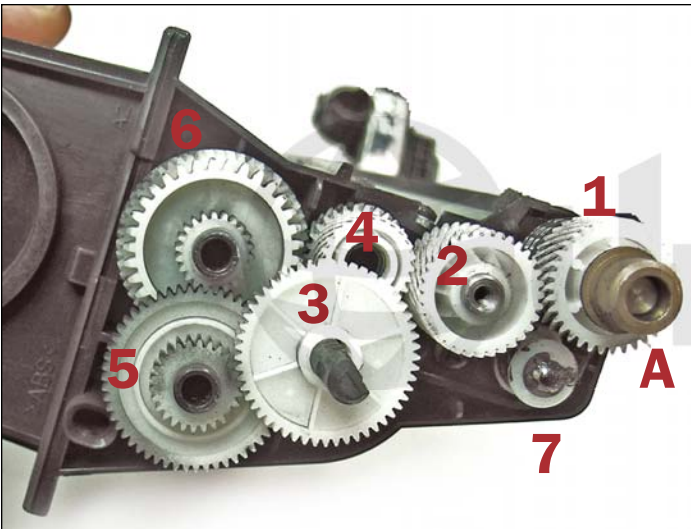
**BOTTOM OF CARTRIDGE**



1. Remove the two screws from the gearside end cap shown.

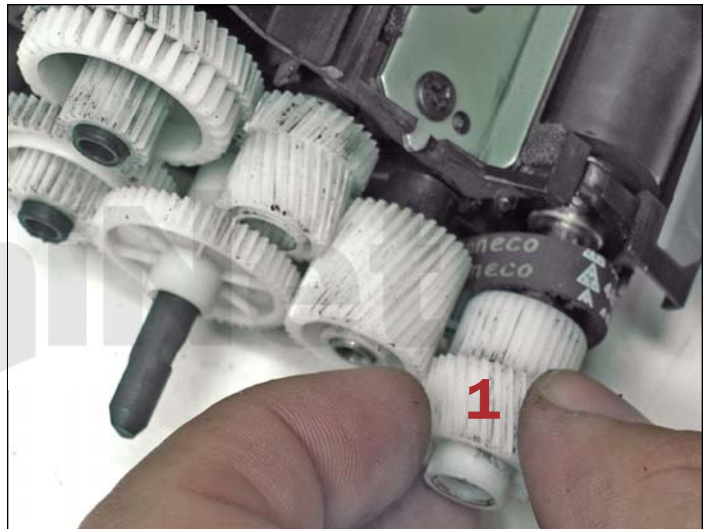


2. Remove the loosened end cap from the cartridge.



3. Remove the gears, one at a time, in the numbered order shown. Note the positioning of these gears, as you will need to install them in reverse order during reassembly.

First, slide out the **brass bushing (A)** in front of the developer roller gear (#1) shown.



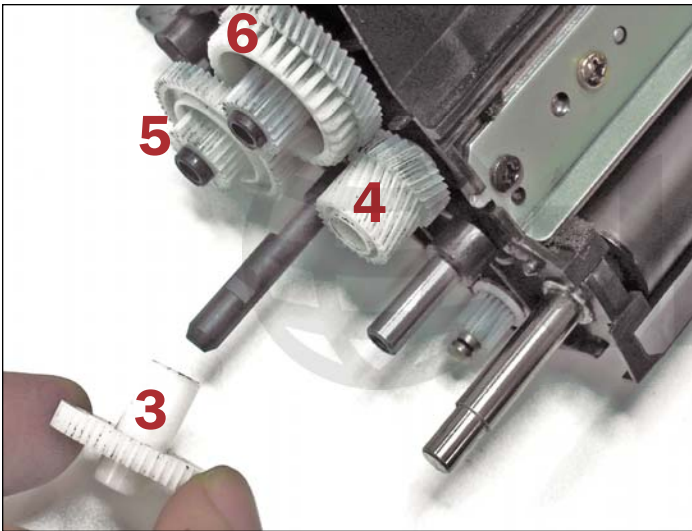
4. Slide the **developer roller gear (#1)** out as shown. This will release the drive belt from the developer roller gear (#1) and the supply roller gear (#7) just below it.



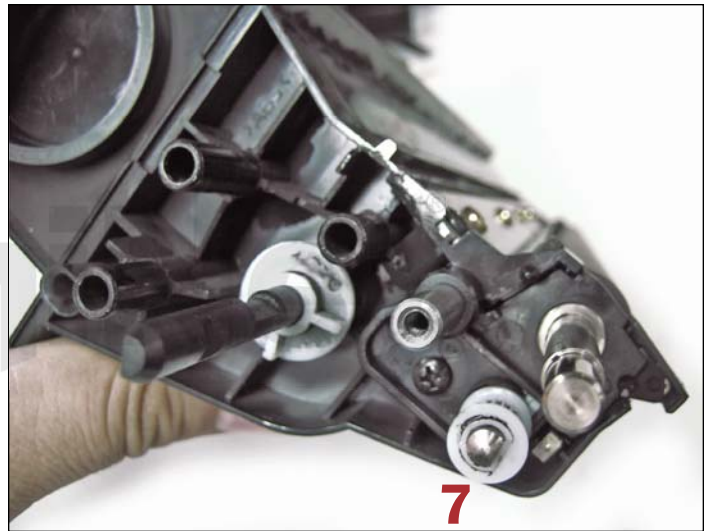
5. Remove the **drive belt** and **gear (#2)** shown.



6. Rotate **gear (#3)** counter-clockwise to unlock and release it



7. Remove **gears (#3, #4, #5, and #6)** in their respective order.



8. We are now ready to remove the remaining **supply roller gear (#7)** and the inner housing behind it.

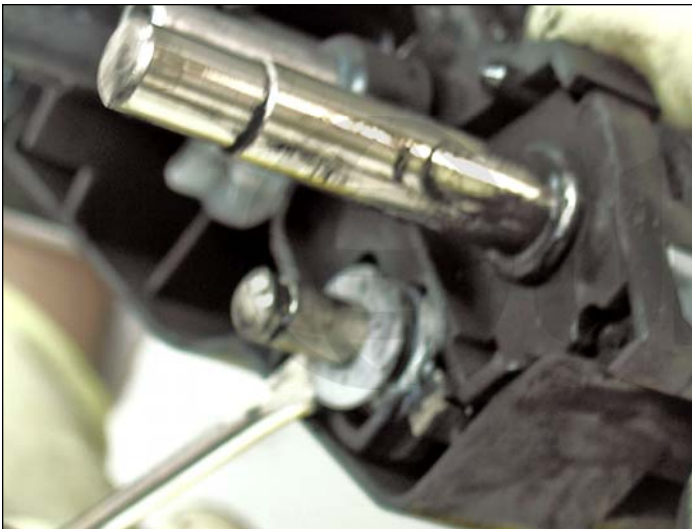




9. First, remove the “C” clip to unlock and release the supply roller gear (#7).



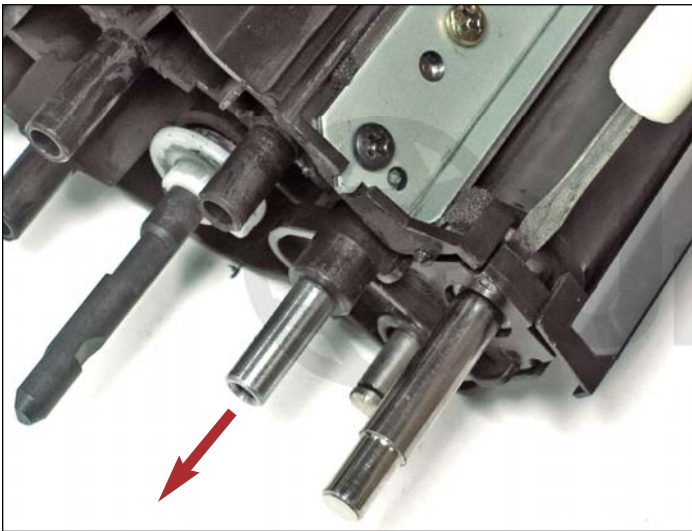
10. Slide out the **supply roller gear (#7)**, using a small flathead screwdriver.



11. Slide out the washer behind it.



12. Remove the screw to release the gear housing shown.



13. Slide out the gear housing.



14. Make sure all gearside components are accounted for before proceeding.



15. Remove the two screws from the end cap on the opposite side of the cartridge.

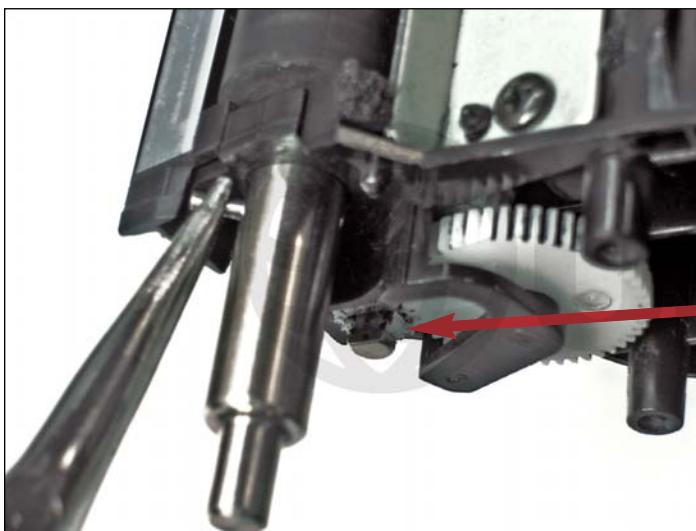


16. Use a small flathead screwdriver to push out the loosened end cap.



17. Slide out the brass bushing and gear from the developer roller drive shaft.





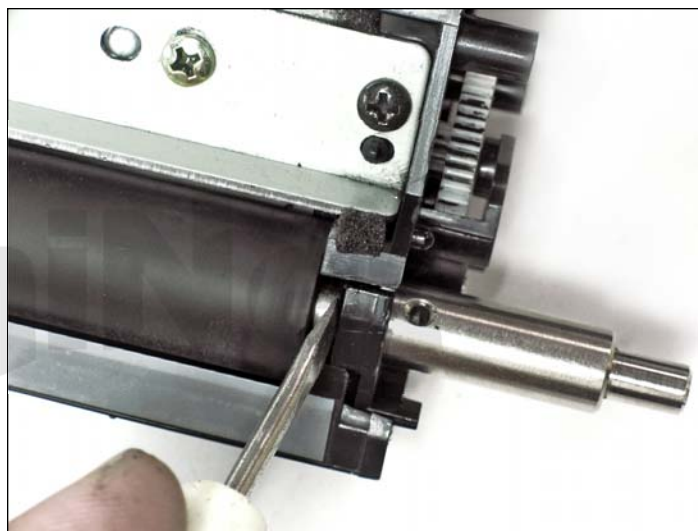
18. Using a pair of needle-nose pliers, pull out the locking drive pin from the developer roller drive shaft.



19. Locate the small gear just below the developer roller drive shaft. This gear is locked by its two small inner security tabs. Using a small, flathead screwdriver, gently push out the gear so the tabs unlock. Be careful not to break the tabs.

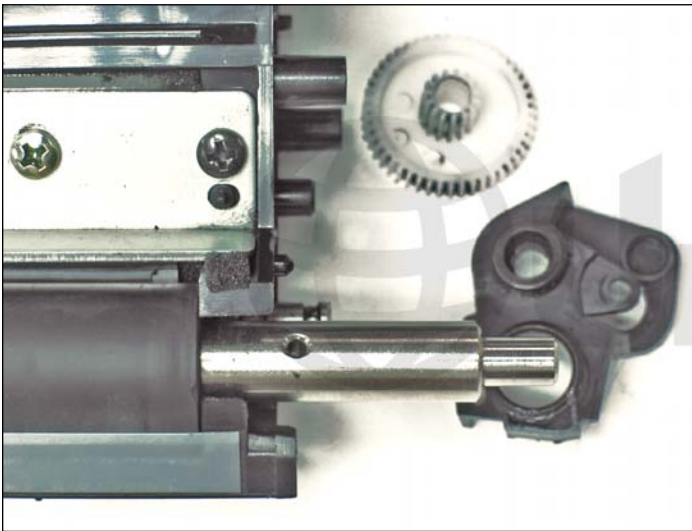


20. With the small gear successfully removed, you are now ready to remove the roller support plate (area circled) and the larger gear that is held in place.



21. Push the roller support plate out using a small flathead screwdriver, then slide it out using your fingers.





22. Once the roller support plate is removed, the large gear shown will also come out with it.



23. Make sure all end cap components are accounted for before proceeding.



24. Lift the developer roller out from one side to the other.



25. Remove the two screws from both sides of the doctor blade shown.



26. Use a flathead screwdriver to pry the doctor blade loose.



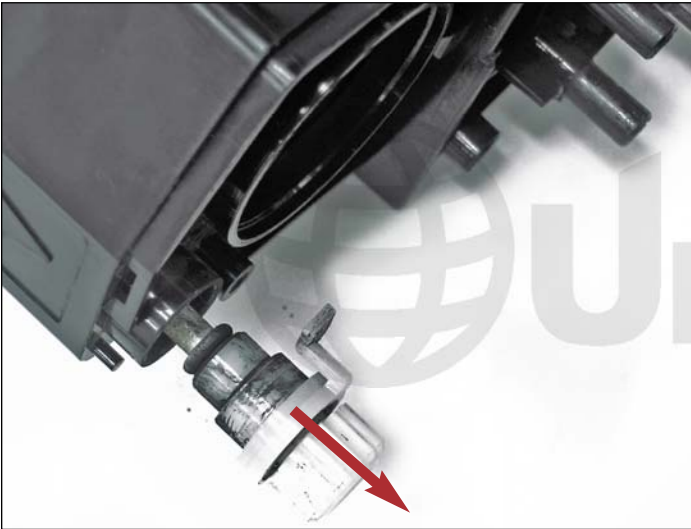
27. Lift the doctor blade out from one side, then to the other.



28. We are now ready to remove the waste toner hose and spring gear. First, locate the interlocked gear next to the toner fill plug on the gearside of the cartridge.



29. Turn the gear tab clockwise to unlock it.



30. Begin pulling the gear out as shown.



31. This gear is attached to a long spring that runs through a hose attachment inside the toner hopper. The entire spring should come out completely.



32. Pull out the hose attachment from the socket shown.



33. Remove the toner fill plug by prying it out using a flathead screwdriver.





34. Toner fill plug removed.

You are now ready to clean the toner cartridge.



35. Use compressed air to clean out the waste toner.

Be sure to clean all the spring, gear, and hose attachment entries shown.

With the waste toner removed, begin cleaning the toner hopper and the developer roller opening.



37. Assemble the cleaned cartridge by following the disassembly steps in reverse.

Refill with new toner for use in Lexmark C910.